

SULO®



Ibiza® Litter bin
80 Liters



TECHNICAL CHARACTERISTICS

Body, lid and inner basket made of rotomolded polyethylene mass colored and treated against ultraviolet radiation. The embossed lines of the bodywork give it a marked anti-vandalism character.

Its design allows integration in any part of the city.



MECHANICAL CHARACTERISTICS

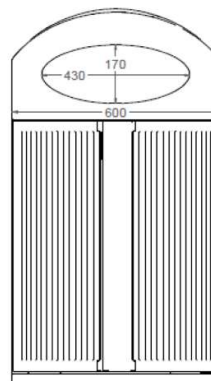
EASY TO USE

FUNCTIONALITY

- **Prevents the accumulation of dirt inside**
Its rounded design prevents the accumulation of dirt in the corners and edges of the bin.
- **Resistance to vandalism**
This model has been designed to respond perfectly to the conditions of use of this type of product.
- **Inner basket**
The bin has an inner basket made of polyethylene, for emptying

ACCESSIBILITY

The dimension of the introduction openings is designed to avoid the introduction of other types of waste.

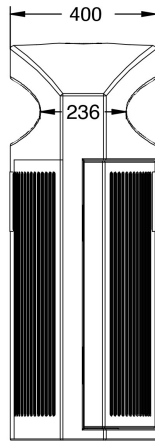
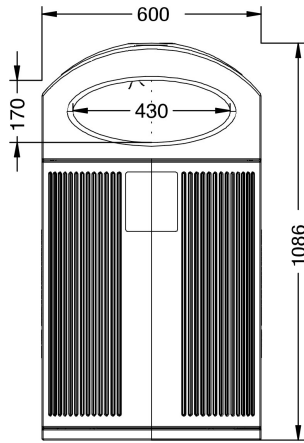


Maximum dimension of the opening

430 x 170 mm.

The height of the waste deposit is accessible to all public.

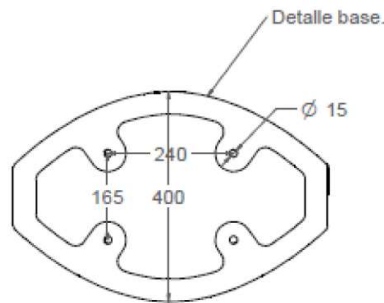
DIMENSIONS



- Height 1086 mm.
- Width 600 mm.
- Length 400 mm.
- Weight 10 kg.

INSTALLATION

This model only allows its installation by anchoring it to the ground (4 screws).



STANDARD COLORS



GREY
RAL 7021

RED
RAL 3020



BROWN
8017



ORANGE
2004



YELLOW
1026



BLUE
RAL 5005



GREEN
RAL 6029



COBALT BLUE
RAL 5004

CUSTOMIZATION

This litter bin model has a customization space just below the opening.

The customization will be done by means of thermo engraving, insert in the mold or riveted sheet metal.

DIMENSIONS: 150 x 170 mm



BUILT-IN ASHTRAY

ASTRAY / EXTINGUISHER



Circular metal plate located on top of litter bin with ashtray and cigarette extinguisher.

REGULATIONS / CERTIFICATIONS



These litter bins are manufactured in ISO 9001 certified Production centers.



©

